

**SKID STEER LOADERS
COMPACT TRACK LOADERS**

**SR130 | SR160 | SR175 | SV185 | SR210 | SR240 | SR250
SV280 | SV300 | TR270 | TR310 | TR320 | TV380**

CASE

CONSTRUCTION



**POWER OUTSIDE,
COMFORT INSIDE**

www.casece.com

**EXPERTS FOR THE REAL WORLD
SINCE 1842**

ACROSS HISTORY



EXPERTS FOR THE REAL WORLD SINCE 1842

1842 Case was founded.

1969 Case begins skid steer loader production with the first model the 1530 Uni-Loader.

1995 Case initiated co-branding and supply agreements with several key suppliers for power and application

attachments as well as quick couplers.

1998 The exclusive Ride control is introduced on loader backhoes and skid steer loaders: another Case first.

2011 Case launches brand new series of skid steer and compact track loaders.

2015 New Tier 4 Final / EU Stage IIIB models further enrich Case skid steer and compact track loaders offering.

PRODUCTIVITY AND RELIABILITY



RADIAL AND VERTICAL BOOM

Extended line up to meet any customer need

To deliver Case specific performance and productivity to an ever wider range of customers, Case Construction Equipment has expanded its skid steer and compact track loader line-up. The revised range includes six radial lift skid steers (SR models), three radial lift compact track loaders (TR models) three vertical lift skid steers (SV models) and one vertical lift compact track loader (TV model).

CLEAN POWER, MAXIMISED PRODUCTIVITY



LOW EMISSIONS

Low-to-no-maintenance T4 technology

The electronic engine control enhances precision and responsiveness to operator commands.

Skids SR175, SV185, SR210, SR240, SR250, SV280 SV300 and Compact Track Loaders TR270, TR310, TR320 and TV380 are equipped with High Pressure Common Rail (HPCR) technology, which regulates fuel pressure and injection timing ensuring extremely high injection precision in all engine operating conditions. This results in more torque output and allows to get more useful power from every drop of fuel.

- Diesel PM (particulate matter) Catalyst traps the residual particulate contained in the exhaust gas of the engine.
- Cooled Exhaust Gas Recirculation (CEGR) process is now controlled electronically to achieve greater performance and fuel efficiency, as well as even greater reliability - for example, to help protect the engine from overheating.
- Diesel Oxidation Catalyst (DOC) utilizes a chemical process in order to break down pollutants from diesel engines in the exhaust stream, turning them into less harmful components. DOC does not require regeneration and it is a maintenance-free component.
- Diesel Particulate Filter (DPF) physically traps particulate matter from the engine exhaust. Electronic controls will trigger an automatic regeneration of the DPF system. Additionally, the system can notify the machine operator to manually regenerate the DPF system occasionally when the soot load in the DPF exceeds the range defined for automatic regeneration.

Model	Power HP (kW)	Engine	Tier 4 Technology
SR130	49 (36)	ISM N844L-F IDI	Stage 3A / Tier 4i
		2.2L	-
SR160	60 (45)	ISM N844LT-F IDI	Stage 3B / Tier 4F
		2.2L	CEGR + DPF + DOC
SR175	67 (50)	ISM N844LTA-DI-F	Stage 3B / Tier 4F
		2.2L (HPCR)	CEGR + DOC
SV185	60 (45)	ISM N844LTA-DI-F	Stage 3B / Tier 4F
		2.2L (HPCR)	CEGR + DOC
SR210	74 (55)	FPT F5H HPCR	Stage 3B / Tier 4F
		3.4L	CEGR + DOC + PM Catalyst
SR240	74 (55)	FPT F5H HPCR	Stage 3B / Tier 4F
		3.4L	CEGR + DOC + PM Catalyst
SR250	90 (67)	FPT F5H HPCR	Stage 3B / Tier 4i
		3.4L	CEGR + DPF + DOC
SV280	74 (55)	FPT F5H HPCR	Stage 3B / Tier 4F
		3.4L	CEGR + DOC + PM Catalyst
SV300	90 (67)	FPT F5H HPCR	Stage 3B / Tier 4i
		3.4L	CEGR + DPF + DOC
TR270	74 (55)	FPT F5H HPCR	Stage 3B / Tier 4F
		3.4L	CEGR + DOC + PM Catalyst
TR310	74 (55)	FPT F5H HPCR	Stage 3B / Tier 4F
		3.4L	CEGR + DOC + PM Catalyst
TR320	90 (67)	FPT F5H HPCR	Stage 3B / Tier 4i
		3.4L	CEGR + DPF + DOC
TV380	90 (67)	FPT F5H HPCR	Stage 3B / Tier 4i
		3.4L	CEGR + DPF + DOC

POWER OUTSIDE, COMFORT INSIDE



Chassis supports pushing power!



OUTSTANDING STABILITY

with Case power stance chassis

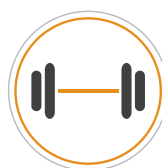
Our power stance chassis rides on a 21 percent longer wheelbase, delivering greater stability and comfort and allowing increased lifting capabilities, regardless of jobsite conditions.



TOP RANKING BREAKOUT FORCE

Case cylinder and chassis design provides maximised pushing power

The cylinder geometry optimises the skid steer and compact track loader's push and pull power, while the bucket support bearing directly on the chassis of the machine further adds to its pushing power.



HIGH ROC

with bolt-on counterweights

Simply bolt on additional counterweights to the rear sides of the machine. Increase ROC by adding counterweights to move more material, more quickly
Decrease ROC (operating without counterweights to keep fuel costs down and decrease ground disturbance.

THE MOST COMFORTABLE CAB EVER



HIGH VISIBILITY

Wider glazed surface for safer operations

The large glazed surface with ultra-narrow wire side screens, the lowered threshold and thinner front pillars provide the best visibility in the market (ROPS / FOPS cab).



EASY ACCESS

Safety first

Low threshold, together with convenient grab handles make accessing the cab easy and safe.



POWER OUTSIDE, COMFORT INSIDE



COMFORTABLE AND SAFE CAB

Leading operator comfort

The wide door, repositioned grab handles and a lower threshold provide easy access to the cab. All models have suspension seats and optional air suspension heated seats for the ultimate in comfort. If specified with full cab glazing and door, the cab is completely sealed to reduce the amount of noise and dust.

25% wider cab

It's not just the range that has expanded: all models benefit from a cab with up to 25% more internal width, providing greatly improved operator comfort. Our cab - the widest in the industry - provides plenty of room for comfortable operation, with greater headroom and legroom, more space between the control levers and easy access to the seat.



EFFECTIVE RIDE CONTROL

Optimised shock absorption

Comfort goes with productivity with CASE patented Ride Control. This optional feature is a shock absorber which reduces loader arm bouncing at elevated speed for greater material retention and increased operator comfort. More material moved, more quickly.



CONTROL EVERYTHING WITH TWO FINGERS



VERSATILE CONTROLS

Tailor-made performance

The upgraded Case skids now offer EZ-EH (electro-hydraulic) controls and software. Operators can quickly change between nine presets for speed and control customization.

FREE TO CHOOSE THE MOST SUITABLE CONTROL

Mechanical or Electro Hydraulic controls

All controls are within easy reach and you can choose among mechanical hand drive levers or mechanical foot drive pedals, or electro-hydraulic controls.

Proportional auxiliary hydraulics

Standard Proportional control of Auxiliary Hydraulics with detent for smooth and precise attachment control.





HIGH VERSATILITY

Hydraulics simplified. Versatility maximised

Connect Under Pressure (CUP) system to plug hydraulic hoses with no wrenches. Three different Auxiliary Hydraulics Packages offered:

(1) Standard Flow Package

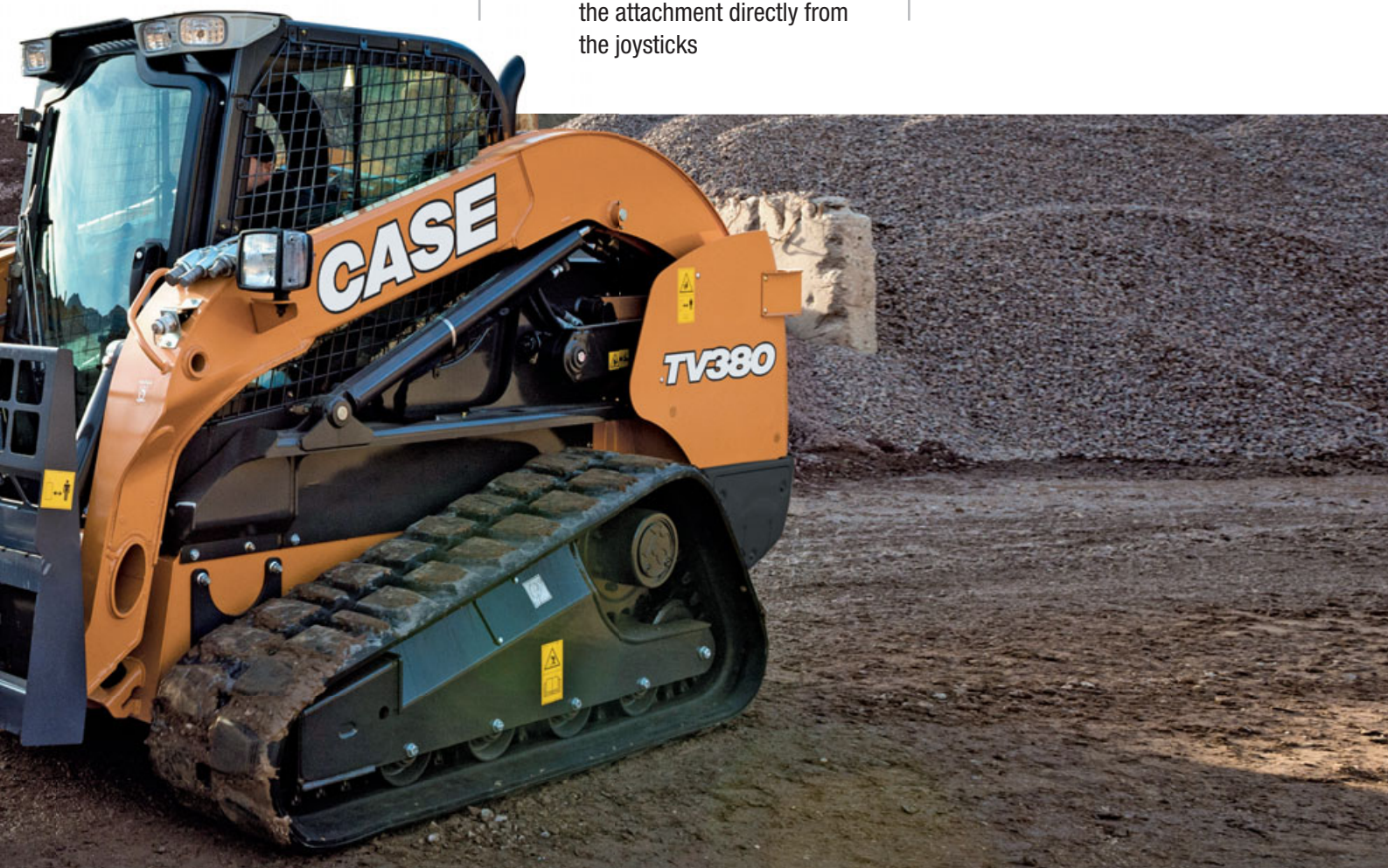
- The standard system operates the majority of available hydraulic attachments
- The proportional control provides a precise control of the attachment

(2) High Flow Package

- Up to 55% more flow with the high-flow auxiliary hydraulics option (package level 4 and 5)
- High flow is required for attachments such as cold planers, rock wheels or large hammers
- Packages level 4 and 5 include a 14-pin front electric system to handle multiple movements of the attachment directly from the joysticks

(3) Enhanced High Flow Package

- The enhanced high flow option (package level 7) is designed for extreme applications, such as large cold planers and mulchers



MAIN REASONS TO CHOOSE THE SSL-CTL RANGE



RADIAL AND VERTICAL BOOM

- Radial for digging and pushing
- Vertical for loading and carrying



LOW EMISSIONS

- Low-to-no maintenance Stage 3B Tier 4 technology



HIGH ROC

- Additional counterweights



SIMPLE AND ROBUST UNDERCARRIAGE

- Robust fixed undercarriage
- Few moving parts
- Self-lubricated rollers



HIGH VERSATILITY

- Wide range of attachments
- Different auxiliary hydraulic solutions to feed them.



FAST ATTACHMENT CHANGE OVER

- Mechanic or hydraulic quick coupler
- Connect Under Pressure (CUP) system to plug hydraulic hoses with no wrenches





COMFORTABLE AND SAFE CAB

- Wide cab, flat floor, convenient lap bar, optimized A/C air flow
- ROPS, FOPS certified
- Suspension and heated seats



HIGH VISIBILITY

- Unique side lightening
- Large side windows for an excellent visibility
- Better sight lines to the tires, bucket edge, curb lines and even to the rear when backing up.



EASY ACCESS

- Wider cab entrance
- Lower threshold
- Longer and ergonomic handles



VERSATILE CONTROLS

- Mechanical or EH customizable controls
- Speed and sensitivity can easily be adjusted
- ISO-H switchable controls
- Ride Control for a greater operator comfort



OUTSTANDING STABILITY

- Longer wheelbase
- Optimized weight distribution



TOP RANKING BREAKOUT FORCE

- Aggressive cylinder mounting for superior digging efficiency



SKID STEER LOADERS COMPACT TRACK LOADERS



POWER OUTSIDE, COMFORT INSIDE



SIMPLE AND ROBUST UNDERCARRIAGE

to ensure long-lasting operativity

The new Case compact track loaders feature a robust undercarriage, engineered to hold fast on steep slopes and take command of muddy or sandy terrain. The undercarriage has a rigid-track frame with fewer moving parts for greater durability and easier maintenance than suspension-track systems.

Heavy-duty drive motor/final drive

Increases component life by using an oversized bearing in line with the drive sprocket and elevating the drive assembly, keeping it out of material.



Simple hydraulic track adjustment

Track tension is simply adjusted by adding or removing grease to a hydraulic cylinder. Track tension is important to undercarriage life and track life.



Lifetime sealed and oil lubricated rollers and idlers

Duo-cone face seals utilize proven dozer oil-lubrication technology that provides greater reliability and lower maintenance costs. The seals reduce the possibility of material and moisture getting into the rollers and idlers.



Triple flange rollers

Helps prevent de-tracking on inclines by using dozer-style rollers with a larger inner-diameter flange positioned between the track lugs.



MAINTENANCE MADE EASY AND RATIONAL



SAFE AND EASY MAINTENANCE

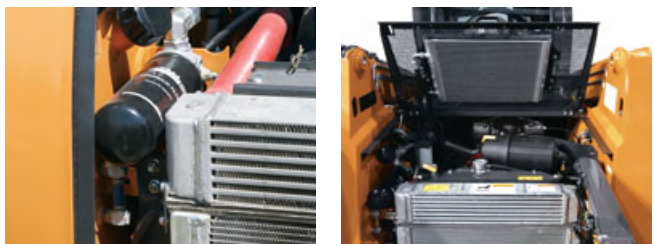
Convenient cab tilting

With just two retaining bolts, the cab is easy to tilt, providing access to hydraulic and transmission components when necessary.

A safety locking system that prevents the cab from dropping is automatically activated.

Best-in-class serviceability

Easy access, daily service points grouped together and remote mounted filters mean it's easy to keep Case skid steer and compact track loaders working to their maximum efficiency.



Maintenance kept easy even with the most advanced T4 engine technology



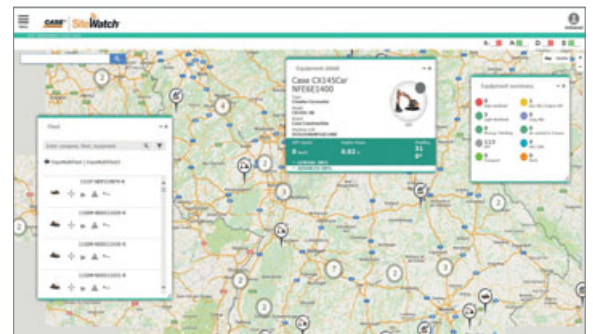
Smart battery and drain hoses access

Battery and environmental drain hoses are easily accessible from the side of the machine, by removing a tap located behind the rear wheel, allowing quick service and fast maintenance activities.



THE SCIENCE BIT

The Case SiteWatch telematics system uses a high-tech control unit mounted on each machine to collate information from that machine and from GPS satellites. This data is then sent wirelessly through the mobile communication networks to the Case Telematics Web Portal.



SiteWatch: centralised fleet control benefits at your fingertips

- 📶 Measure your true asset availability and optimise it
- 📶 Challenge your Total Cost of Ownership!
- 📶 More Safety, Lower Insurance Premium

FUNCTIONAL VARIANTE	DESCRIPTION	SR130	SR160	SR175	SV185	SR210	SR240	SR250	SV280	SV300
8501207	10X16.5 Heavy Duty 590TW	x	x							
8501307	10X16.5 Premium 590TW	x	x							
8501407	10X16.5 Premium Liner 590TW	x	x							
8501507	27X10.5-15 Premium 640TW	x	x							
8502107	10X16.5 Non-Pneumatic 640TW	x	x	x	x	x				
8501707	10X16.5 Heavy Duty 640TW			x	x	x				
8501807	10X16.5 Premium 640TW			x	x	x				
8501907	10X16.5 Premium Liner 640TW			x	x	x				
8502007	10X16.5 Severe Duty 640TW			x	x	x				
8503107	12X16.5 Heavy Duty 700TW			x	x	x	x	x	x	x
8503207	12X16.5 Premium 700TW			x	x	x	x	x	x	x
8503307	12X16.5 Premium Liner 700TW			x	x	x	x	x	x	x
8503407	12X16.5 Severe Duty 700TW					x	x	x	x	x
8503507	12X16.5 Mining 700TW					x	x	x	x	x
8503607	12X16.5 Non-Pneumatic 700TW					x	x	x	x	x
8505007	33X15.5 Flotation 760TW					x	x	x	x	x
8505107	14X17.5 Premium 760TW						x	x	x	x



HEAVY DUTY

PREMIUM
& PREMIUM W/LINER

SEVERE DUTY

NON-PNEUMATIC

MINING

FLOTATION

VERSATILITY AND EFFECTIVENESS

EASILY CONNECTED



HIGH VERSATILITY

to undertake any type of job

Case skid steer loaders and compact track loaders can handle a broad range of attachments, providing outstanding versatility to serve a broad range of industries.



FAST ATTACHMENT CHANGE OVER

Handle attachments easily

The Connect Under Pressure standard feature allows you to connect tool hoses without a wrench. With the hydraulic coupler option attachments can be changed rapidly without leaving the cab.



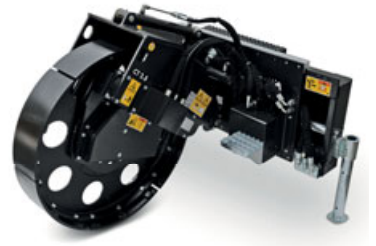
PLANER (350 mm)



PLANER (1.000 mm)



ASPHALT FLOAT



WHEEL COMPACTOR



ROCK WHEEL



HAMMER



BACKHOE BUCKET



CEMENT MIXER



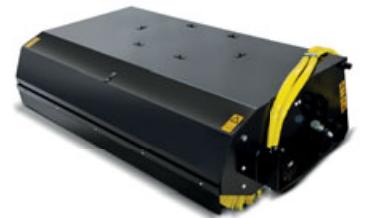
SNOW BLOWER



SNOW BLADE



4X1 MULTIPURPOSE BUCKET



BROOM BUCKET



AUGER



FARM FORK



FORK & GRAPPLE

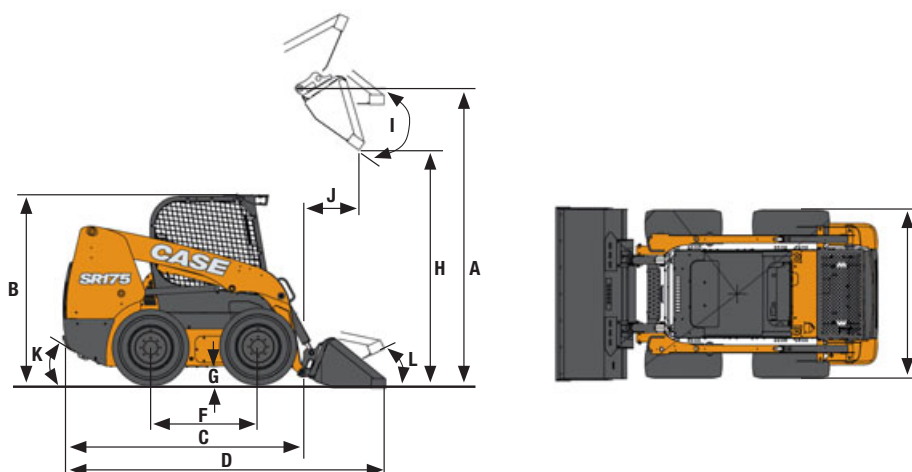


BALE SPIKE

Attachment	Application	Width (mm)	Depth (mm)	Weight (kg)	Flow	Compatible Model
Planers	Planing on asphalt or concrete. Overlaying road, industrial and courtyard surfaces. Maintenance of stretches of road. Restoration of damaged, bumpy or worn surfaces.	350	0 - 110	590	Std	SR175 and bigger
		450	0 - 150	790	High	SR175 / SV185 / SR210 / TR270 / TR310
		600	0 - 170	950	High	SR210 and bigger
		1000	0 - 130	1070	High	SR210 and bigger
Asphalt Float	Backfilling of trenches and widening road surface while maintaining the road's original gradient.	1900	N.A.	620	Std	SR210 and bigger
Wheel Compactor	Compacting the bed of a trench before adding an asphalt surface layer.	Wheel width 200 - 250 - 300 350 - 400	0 - 750	550 - 750	Std	SR210 and bigger
Rock Wheel	Trenching jobs on hard, compact materials like asphalt and concrete, digging trenches on roads or in areas where movement is restricted.	Wheel width 80-130-200	150 - 450	1155	High	SR210 and bigger
		80-130-200	200 - 600	1260	High	SR240 and bigger
Hammers	Concrete demolition jobs, trenching and general excavation work.	N.A.	N.A.	156	Std	SR130 / SR160
		N.A.	N.A.	275	Std	SR175 and bigger
		N.A.	N.A.	370	Std / High	SR240 and bigger (except TR270 and TR310)
		N.A.	N.A.	505	High	SR240 and bigger (except TR270 and TR310)
Backhoe Bucket	Creation of trenches, foundations, drain and irrigation channels, etc. in private or public constructions, both for new or maintenance jobs.	Bucket width 1400	Digging depth 2480	520	Std	SR130 / SR160
		1600	2780	750	Std	SR175 / SV185 / SR210
		1600	3260	1020	Std	SR240 and bigger
Cement Mixer	Production of cement for civil construction in isolated or difficult-to-access areas, or with limited availability of electric energy.	1170	N.A.	639	Std	SR160 and bigger
		1490	N.A.	794	Std	SR175 and bigger
		1490	N.A.	1013	Std	SR210 and bigger
		1575	N.A.	1140	Std	SR240 and bigger
		1700	N.A.	1188	Std	SR250 and bigger
		1760	N.A.	1694	Std	TV380
Snow Blower	Ideal for removing large amounts of snow without damaging the pavement. Features: effective icebreaker system, limited front height (740 mm), hydraulic chute rotation (240°)	1.550	990	494	Std	SR130 / SR160
		1.750	990	506	Std / High	SR175 / SV185 / SR210 / SR240 / SR250 SV280 / SV300 / TR270 / TR310
		2.050	990	524	Std / High	SR210 and bigger
Snow Blade	Tiltable blade (+/- 30°) designed to roll out and evacuate snow. Features: Anti-skock system to reposition automatically the blade in working position, sidelights to work safely	2100	N.A.	315	Std	SR130 / SR160 / SR175 / SV185 SR210 / TR270 / TR310
		2400	N.A.	410	Std	SR240 / SR250 / SV280 / SV300 / TR320 / TV380
Dozer Blade	General dozing applications	1980	N.A.	285	Std	SR130 / SR160 / SR175 / SV185 SR210 / TR270 / TR310
		2135	N.A.	288 - 358	Std	SR175 / SV185 / SR210 / SR240 SR250 / SV280 / SV300 / TR270 / TR310
		2365	N.A.	510	Std	SR240 / SR250 / SV280 / SV300 / TR320 / TV380
		2640	N.A.	525	Std	SR240 / SR250 / SV280 / SV300 / TR320 / TV380
Wide range of Buckets (Dirt&Foundry; Low Profile; Low Profile Extended, Heavy Duty, Manure/Slurry; Light Material, Side Tip)	Digging, excavating, grading, material handling		Capacity (m³)			
		1525	0.35-0.63	120-230	N.A.	SR130 / SR160
		1680	0.40-0.72	154-324	N.A.	SR175 / SV185 / SR210
		1830	0.48-0.99	220-342	N.A.	SR175 / SV185 / SR210
		1850	0.33-1.75	225-500	N.A.	SR240 / SR250 / SV280 / SV300 / TR270 / TR310
2080	0.32-2.00	250-540	N.A.	SR240 / SR250 / SV280 / SV300 / TR320 / TV380		
4X1 Multipurpose Bucket	Multipurpose bucket: applications as conventional bucket, grab for back filling or as a dozer		Capacity (m³)			
		1525	0.33-0.35	235-280	Std	SR130 / SR160
		1680	0.40	283-320	Std	SR175 / SV185 / SR210
		1850	0.43-0.44	310-403	Std	SR175 / SV185 / SR210 / SR240 / SR250 / SV280 SV300 / TR270 / TR310
2080	0.50	435-453	Std	SR240 / SR250 / SV280 / SV300 / TR320 / TV380		
High Tip Bucket	Increase dump height by 800 to 1.200 mm		Capacity (m³)			
		1525	0.67	364	Std	SR130 / SR160
		1680	0.44	176	Std	SR175 / SV185 / SR210
		1850	0.49-0.67	336-352	Std	SR175 / SV185 / SR210 / SR240 / SR250 / SV280 SV300 / TR270 / TR310
2080	0.76	466	Std	SR240 / SR250 / SV280 / SV300 / TR320 / TV380		
Broom Bucket	Clearing yards, roads, footpaths, etc. Also efficient for snow clearance.		Capacity (m³)			
		1525	0.35	300-405	Std	SR130 / SR160
		1680	0.38	336-435	Std	SR175 / SV185 / SR210
		1850	0.43	420-465	Std	SR175 / SV185 / SR210 / SR240 / SR250 / SV280 SV300 / TR270 / TR310
2080	0.48-0.51	480-490	Std	SR240 / SR250 / SV280 / SV300 / TR320 / TV380		
Auger (std flow) Auger (high flow)	Boring of holes in the ground such as telegraph poles, electricity pylons, signposts, metallic frame pillars, tree and shrub planting	760	1.200	20 - 175	Std	All
		900	1.200	30 - 225	High	SR175 and bigger
Farm Fork Fork & Grapple	Farm fork: General farm yard applications. Fork and Grapple: "Mucking out" bale and silage handling. Also suitable for industrial applications.		Capacity (m³)			
		1525	0.54-0.85	153-255	Std	SR130 / SR160
		1680	0.60-0.92	170-302	Std	SR175 / SV185 / SR210
		1850	0.55-1.02	221-341	Std	SR175 / SV185 / SR210 / SR240 / SR250 / SV280 SV300 / TR270 / TR310
2080	0.61-1.00	211-381	Std	SR240 / SR250 / SV280 / SV300 / TR320 / TV380		
Pallet Fork	Handling of palletizes loads.	Forks length 1000	N.A.	126-308	N.A.	SR210 and smaller
		1100	N.A.	144-312	N.A.	SR210 and smaller
		1200	N.A.	194-320	N.A.	All
Bale Spike	Handling of round bales	980	N.A.	55	N.A.	All

SKID STEER LOADERS

COMPACT TRACK LOADERS



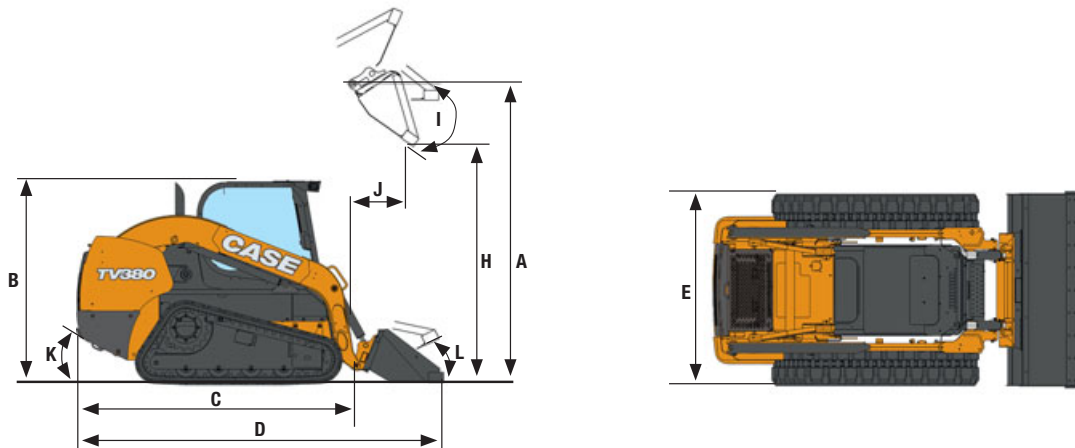
GENERAL DIMENSIONS

	SR130	SR160	SR175	SV185	SR210	SR240	SR250	SV280	SV300
A - Height to Bucket Hinge Pin	2845 mm	2845 mm	3099 mm	3048 mm	3124 mm	3175 mm	3175 mm	3302 mm	3302 mm
B - Height to Top of ROPS	1919 mm	1919 mm	1974 mm	1974 mm	1998 mm	2002 mm	2002 mm	2002 mm	2002 mm
C - Length without attachment	2435 mm	2435 mm	2685 mm	2685 mm	2669 mm	2981 mm	2981 mm	2990 mm	2990 mm
D - Length with bucket *	3028 mm	3028 mm	3305 mm	3345 mm	3292 mm	3611 mm	3611 mm	3604 mm	3604 mm
E - Overall Width	1518 mm	1518 mm	1678 mm	1678 mm	1755 mm	1768 mm	1768 mm	1768 mm	1768 mm
F - Wheelbase	941 mm	941 mm	1128 mm	1128 mm	1128 mm	1322 mm	1322 mm	1322 mm	1322 mm
G - Ground Clearance	178 mm	178 mm	178 mm	178 mm	203 mm	203 mm	203 mm	203 mm	203 mm
H - Dump height *	2246 mm	2246 mm	2470 mm	2380 mm	2495 mm	2562 mm	2562 mm	2629 mm	2629 mm
I - Dump Angle	40°	40°	40°	52°	40°	38°	38°	54°	54°
J - Dump Reach @ Max Height	469 mm	469 mm	542 mm	783 mm	517 mm	575 mm	575 mm	744 mm	744 mm
K - Angle of Departure	22°	22°	23°	23°	25°	24°	24°	24°	24°
L - Rollback Angle (Bucket on Ground)	26°	26°	32°	35°	31°	31°	31°	35°	35°

SPECIFICATIONS

	SR130	SR160	SR175	SV185	SR210	SR240	SR250	SV280	SV300
FRAME SIZE	Small Frame	Small Frame	Medium Frame	Medium Frame	Medium Frame	Large Frame	Large Frame	Large Frame	Large Frame
EMISSIONS LEVEL	Tier 4i / Stage 3A	Tier 4F / Stage 3B	Tier 4F / Stage 3B	Tier 4F / Stage 3B	Tier 4F / Stage 3B	Tier 4F / Stage 3B	Tier 4i / Stage 3B	Tier 4F / Stage 3B	Tier 4i / Stage 3B
PERFORMANCE SPECS									
Rated Operating Capacity 50%	590 kg	725 kg	790 kg	840 kg	905 kg	1088 kg	1135 kg	1270 kg	1360 kg
ROC with counterweights 50%	635 kg	770 kg	835 kg	885 kg	950 kg	1178 kg	1225 kg	1360 kg	1450 kg
Tipping Load	1179 kg	1455 kg	1588 kg	1678 kg	1814 kg	2177 kg	2268 kg	2540 kg	2722 kg
Lift Cylinder Breakout Force**	13.0 kN	15.0 kN	17.0 kN	15.3 kN	20.3 kN	25.0 kN	25.3 kN	25.0 kN	24.9 kN
Bucket Cylinder Breakout Force**	19.0 kN	23.4 kN	32.3 kN	24.7 kN	32.3 kN	39.4 kN	33.3 kN	33.7 kN	33.7 kN
ENGINE									
Engine Make - Model	ISM N844L-D (Nat. Asp.)	ISM N844LT-F (Turbo)	ISM N844LTA-DI-F (Turbo)	ISM N844LTA-DI-F (Turbo)	FPT F5H (Turbo)	FPT F5H (Turbo)	FPT F5H (Turbo)	FPT F5H (Turbo)	FPT F5H (Turbo)
Displacement	2.2 l	2.2 l	2.2 l	2.2 l	3.4 l	3.4 l	3.4 l	3.4 l	3.4 l
Horsepower	49 hp @ 2800 rpm	60 hp @ 2800 rpm	67 hp @ 2800 rpm	60 hp @ 2900 rpm	74 hp @ 2500 rpm	74 hp @ 2500 rpm	90 hp @ 2500 rpm	74 hp @ 2500 rpm	90 hp @ 2500 rpm
Peak torque	143 Nm @ 1800 rpm	188 Nm @ 1800 rpm	208 Nm @ 1800 rpm	183 Nm @ 1800 rpm	314 Nm @ 1400 rpm	314 Nm @ 1400 rpm	383 Nm @ 1400 rpm	314 Nm @ 1400 rpm	383 Nm @ 1400 rpm
TRAVEL SPEED									
Low Range	12.7 km/h	11.9 km/h	11.9 km/h	11.9 km/h	11.4 km/h	12.4 km/h	11.3 km/h	12.4 km/h	11.3 km/h
High Range (Optional)	NA	NA	18.5 km/h	18.5 km/h	16.9 km/h	18.5 km/h	18.5 km/h	18.5 km/h	18.5 km/h
HYDRAULIC SYSTEM									
Pump flow	59 LPM	70 LPM	78 LPM	78 LPM	92 LPM	92 LPM	92 LPM	92 LPM	92 LPM
Optional high flow	N/A	N/A	116 LPM	116 LPM	126 LPM	143 LPM	143 LPM	143 LPM	143 LPM
Relief Pressure	210 bar	210 bar	210 bar	210 bar	210 bar	210 bar	210 bar	210 bar	210 bar
WEIGHTS									
Operating Weight	2300 kg	2505 kg	2842 kg	2980 kg	3160 kg	3350 kg	3490 kg	3670 kg	3765 kg
Shipping Weight	2160 kg	2370 kg	2705 kg	2840 kg	3025 kg	3200 kg	3340 kg	3475 kg	3610 kg
SERVICE CAPACITY									
Fuel Tank	60.5 l	60.5 l	73.8 l	73.8 l	73.8 l	96.5 l	96.5 l	96.5 l	96.5 l

SPECIFICATIONS



GENERAL DIMENSIONS

	TR270	TR310	TR320	TV380
A - Height to Bucket Hinge Pin	3124 mm	3124 mm	3215 mm	3342 mm
B - Height to Top of ROPS	1998 mm	1998 mm	2043 mm	2043 mm
C - Length without attachment	2669 mm	2669 mm	2981 mm	2990 mm
D - Length with bucket *	3292 mm	3292 mm	3611 mm	3604 mm
E - Overall Width	1676 mm	1888 mm	1930 mm	1930 mm
F - Wheelbase	N.A.	N.A.	N.A.	N.A.
G - Ground Clearance	203 mm	203 mm	243 mm	243 mm
H - Dump height *	2495 mm	2495 mm	2602 mm	2669 mm
I - Dump Angle	40°	40°	38°	54°
J - Dump Reach @ Max Height	568 mm	568 mm	548 mm	798 mm
K - Angle of Departure	32°	32°	32°	32°
L - Rollback Angle (Bucket on Ground)	31°	31°	30°	34°

SPECIFICATIONS

	TR270		TR310		TR320		TV380	
FRAME SIZE	Medium Frame		Medium Frame		Large Frame		Large Frame	
EMISSIONS LEVEL	Tier 4F / Stage 3B		Tier 4F / Stage 3B		Tier 4i / Stage 3B		Tier 4i / Stage 3B	
PERFORMANCE SPECS								
Rated Operating Capacity 50%	50%: 1225	35%: 860	50%: 1406	35%: 984	50%: 1451	35%: 1018	50%: 1723	35%: 1209
ROC with counterweights 50%	50%: 1280	35%: 915	50%: 1461	35%: 1039	50%: 1676	35%: 1203	50%: 1948	35%: 1394
Tipping Load	2450 kg		2810 kg		2902 kg		3447 kg	
Lift Cylinder Breakout Force**	27.8 kN		29.0 kN		34.5 kN		26.8 kN	
Bucket Cylinder Breakout Force**	32.3 kN		38.6 kN		38.7 kN		33.4 kN	
ENGINE								
Engine Make - Model	FPT F5H (Turbo)		FPT F5H (Turbo)		FPT F5H (Turbo)		FPT F5H (Turbo)	
Displacement	3.4 l		3.4 l		3.4 l		3.4 l	
Horsepower	74 hp @ 2500 rpm		74 hp @ 2500 rpm		90 hp @ 2500 rpm		90 hp @ 2500 rpm	
Peak torque	314 Nm @ 1400 rpm		314 Nm @ 1400 rpm		383 Nm @ 1400 rpm		383 Nm @ 1400 rpm	
TRAVEL SPEED								
Low Range	8.2 km/h		8.2 km/h		8.2 km/h		8.2 km/h	
High Range (Optional)	12.2 km/h		12.2 km/h		12.2 km/h		12.2 km/h	
HYDRAULIC SYSTEM								
Pump flow	92 LPM		92 LPM		92 LPM		92 LPM	
Optional high flow	123 LPM		123 LPM		143 LPM		143 LPM	
Relief Pressure	210 bar		210 bar		210 bar		210 bar	
WEIGHTS								
Operating Weight	3750 kg		4027 kg		4355 kg		4625 kg	
Shipping Weight	3615 kg		3891 kg		4200 kg		4475 kg	
SERVICE CAPACITY								
Fuel Tank	73.8 l		73.8 l		96.5 l		96.5 l	

* With D&F Bucket - ** Breakout forces estimated considering both tip and hydraulic limits.

www.casece.com

EXPERTS FOR THE REAL WORLD
SINCE 1842

CASE
CONSTRUCTION



Form No. 20066GB - Printed in Italy - MediaCross Firenze - 01/17

**CNH INDUSTRIAL
DEUTSCHLAND GMBH**
Case Baumaschinen
Benzstr. 1-3 - D-74076 Heilbronn
DEUTSCHLAND

CNH INDUSTRIAL FRANCE, S.A.
16-18 Rue des Rochettes
91150 Morigny-Champigny
FRANCE

CNH INDUSTRIAL - UK
First Floor, Barclay Court 2,
Heavens Walk,
Doncaster - DN4 5HZ
UNITED KINGDOM

CNH INDUSTRIAL - SOUTH AFRICA
Waterfall Business Park
Bekker Street, Howick Close
1685 Midrand - Johannesburg
REPUBLIC OF SOUTH AFRICA

**CNH INDUSTRIAL
MAQUINARIA SPAIN, S.A.**
Avda. José Gárate, 11
28823 Coslada (Madrid)
ESPAÑA

CNH INDUSTRIAL ITALIA SPA
Strada di Settimo, 323
10099 San Mauro Torinese (TO)
ITALIA

**CASE CUSTOMER CENTRE
PARIS**
RN 330 - Penchard
77122 - Monthyon
FRANCE

CNH INDUSTRIAL - MIDDLE EAST
DAFZA - Dubai Airport Free Zone
West Wing 4 B, Office 642
P.O. Box 54588, Dubai,
UNITED ARAB EMIRATES

NOTE: Standard and optional fittings can vary according to the demands and specific regulations of each country. The illustrations may include optional rather than standard fittings - consult your Case dealer. Furthermore, CNH Industrial reserves the right to modify machine specifications without incurring any obligation relating to such changes.

Conforms to directive 2006/42/EC

CASE
00800-2273-7373

The call is free from a land line.
Check in advance with your Mobile Operator if you will be charged. Toll free number not available from all calling areas.

