

Technical sheet :

# **MLA-T 516-75 H**

---



Capacities		Metric	Imperial
Static tipping load with bucket (straight)		3535 kg	7793 lbs
Static tipping load with forks (straight)		2732 kg	6023 lbs
Static tipping load with forks (full turn)		2000 kg	4409 lbs
Max. payload with forks as per EN 474-3 (80%)		1600 kg	3527 lbs
Max. height of bucket pivot point	h35	5.03 m	16 ft 6 in
Max. lifting height (below forks)	h3	4.84 m	15 ft 11 in
Max. outreach	l4	3.3 m	10 ft 10 in
Weight and dimensions			
Unladen weight (with forks) with 4-post canopy		5543 kg	12220 lbs
Ground clearance center	m4	0.31 m	1 ft
Overall length to carriage (without hitch hook)	l3	4.95 m	16 ft 3 in
Overall width of 4 posts canopy	b22	1.28 m	4 ft 2 in
Overall cab width	b4	1.28 m	4 ft 2 in
Overall width (over tyres)	b1	1.74 m	5 ft 9 in
Overall height with 4 posts canopy	h38	2.48 m	8 ft 2 in
Articulation angle		44 °	44 °
Engine			
Engine brand		Deutz	Deutz
Environmental norm		Stage 3B	Stage 3B
Engine model		TD_3_6_L4	TD_3_6_L4
Number of cylinders / Capacity of cylinders		4 - 3600 cm³	4 - 219.69 in³
I.C. Engine power rating / Power (kW)		74.3 Hp / 55.4 kW	74.3 Hp / 55.4 kW
Max. torque / Engine rotation		330 Nm / 1600 tr/min	330 Nm / 1600 tr/min
Engine cooling system		2 radiators water hydraulic oil	2 radiators water hydraulic oil
Transmission			
Transmission type		Hydrostatic	Hydrostatic
Travel speed (laden)		20 km/h	12.4 mph
Max. travel speed (may vary according to applicable regulations)		30 km/h	18.6 mph
Differential lock		Machine Lock Rear & front	Machine Lock Rear & front
Parking brake		Manual	Manual
Hydraulics			
Hydraulic pump type		Gear Pump	Gear Pump
Hydraulic flow - Pressure		70 l/min / 200 Bar	70 l/min / 14 PSI
High-Flow Option (l/min)		110 l/min	110 l/min
Drive hydraulic system pressure		380 Bar	26 PSI
Tank capacities			
Hydraulic oil		74 l	16.28 gal
Fuel tank		102 l	22.44 gal
Noise and vibration			
Vibration to whole hand/arm		< 2.5 m/s²	< 2.5 m/s²
Miscellaneous			
Safety cabin homologation		Cab ROPS - FOPS Level 1	Cab ROPS - FOPS Level 1

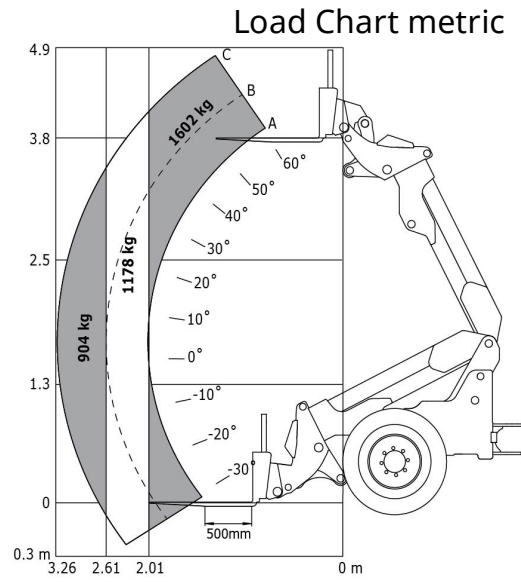
## Options / Finishing

S : Standard / O : Optional / - : Not available

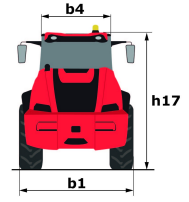
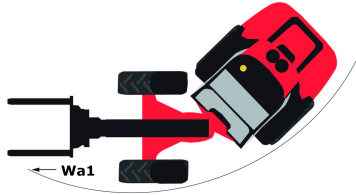
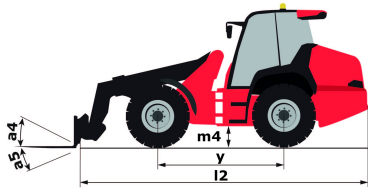
	Essential	Classic	Premium	Elite
General				
Self cleaning air prefilter	-	S	S	-
Air pre-filter	S	-	-	-
Speed control	O	O	S	-
Third speed	O	O	S	-
Comfort				
Tuner car radio (50 W)	-	S	S	-

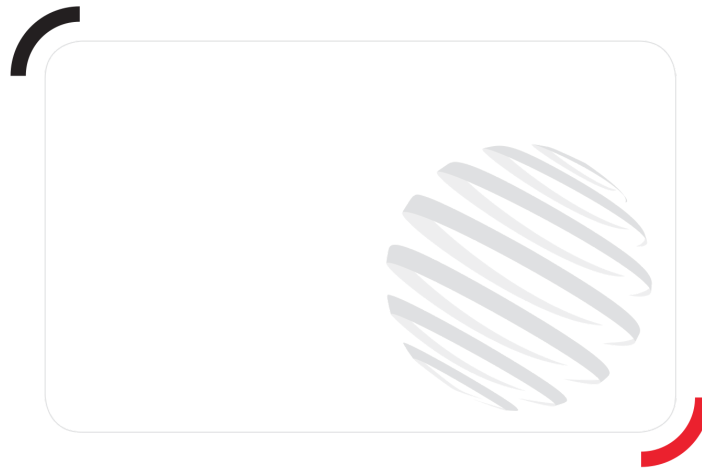
	Essential	Classic	Premium	Elite
Air conditioning with manual adjustment	-	-	S	-
Air suspension seat	-	O	S	-
Suspension Seat - Mechanical	S	-	-	-
Boom suspension	O	O	S	-
Closed cab with heating	-	-	S	-
Floor mat	S	S	S	-
Canopy	S	-	-	-
<b>Hydraulics</b>				
Hydraulic attachment locking	S	S	S	-
Attachment hydraulic line	S	S	S	-
<b>Electricity / Safety</b>				
Front and rear work lights on cab (x4: 2 front + 2 rear)	S/O**	S	-	-
Front and rear LED work lights on cab (x4 : 2 front + 2 rear)	O	O	S	-
Complete road lighting	O	-	S	-
<b>Cab options</b>				
Adjustable and telescopic steering column	S	S	S	-
Manual air conditioning	-	O	-	-
Hand throttle	S	S	S	-
<b>Lighting &amp; Protections</b>				
Flat LED rotating beacon (-71 mm)	O	O	O	-
<b>Boom options</b>				
Easy Connect System (E.C.S.)	S	-	-	-
Continuous flow hydraulics	S	S	S	-

# Load chart



# Dimensional drawing





Siège Social  
430 rue de l'Aubinière - 44150 Ancenis Cedex - France  
Tel: +33(0)2 40 09 10 11 - Fax: +33 (0)2 40 09 10 97  
[www.manitou.com](http://www.manitou.com)



This brochure describes versions and configuration options for Manitou products which may be fitted with different equipment. The equipment described in this brochure may be standard, optional or not available depending on version. Manitou reserves the right to change the specifications shown and described at any time and without prior warning. The manufacturer is not liable for the specifications given. For more information, contact your Manitou dealer. Non-contractual document. Product descriptions may differ from actual products. List of specifications is not comprehensive. The logos and visual identity of the company are the property of Manitou and may not be used without authorisation. All rights reserved. The photos and diagrams contained in this brochure are provided for information only.

MANITOU BF SA - Limited company with board of directors - Share capital: 39,668,399 euros - 857 802 508  
RCS Nantes